

# Single Pole Connectors

Project Name:	Prepared By:
Project Number:	Date:
Catalog Number:	Type:

## Cam-Lok™ Standard Series E1018 Accessories

Cable Size #2 AWG – 4/0  
600V AC/DC, Up to 400A Continuous  
NEMA 3R

### Standard Series E1018 Elastomeric

#### FEATURES

- Double cam principle provides a positive, vibration-proof connection.
- Self-compensating for wear.
- No moving contact surfaces, eliminating arcing or burning.
- Superior electro-mechanical connections.
- Locked contacts will withstand a pulling force of 1,000 lbs.
- 1/3 of a turn assures a high pressure contact approaching 600 lbs. per sq. in. providing minimum resistance.
- Contacts carefully machined from a high conductivity brass to a smooth sliding fit and easy locking action.
- Watertight elastomeric ibody molded from colorfast material, color-coded for easy phase identification.
- Recessed contacts protected by insulating jacket that extends beyond contact ends for safety.

#### THREE WAY LAY-DOWN "T" CONNECTORS

COLOR	PARALLELING "T" M-M-F PART NO.	TAPPING "T" M-F-F PART NO.
BLACK	E1018-2324	E1018-2312
RED	E1018-2326	E1018-2314
GREEN	E1018-2328	E1018-2316
WHITE	E1018-2329	E1018-2317
BLUE	E1018-2348	E1018-2350
BROWN	E1018-2396	E1018-2395
ORANGE	E1018-2327	E1018-2315
YELLOW	E1018-2325	E1018-2313

#### PROTECTIVE CAPS

COLOR	MALE CAP PART NO.	FEMALE CAP PART NO.
BLACK	A100435-1	A100433-1
RED	A100435-5	A100433-5
GREEN	A100435-9	A100433-9
WHITE	A100435-11	A100433-11
BLUE	A100435-15	A100433-15
BROWN	A100435-13	A100433-13
ORANGE	A100435-7	A100433-7
YELLOW	A100435-3	A100433-3

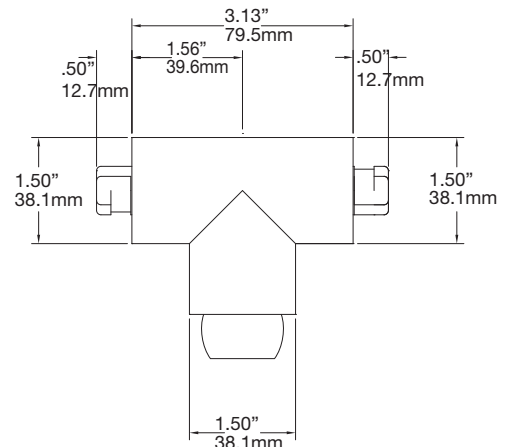
To order single packaged products add a "K" suffix to the complete part number



E1018-2324



A100435-1



#### TESTING & CODE COMPLIANCE

- CSA Certified to C22.2, no. 182.3-M1987, file no. LR13963

#### MATERIAL CHARACTERISTICS

- Insulator: TPE
- Environmental: NEMA 3R
- Temperature Rating: -40° C to 105° C